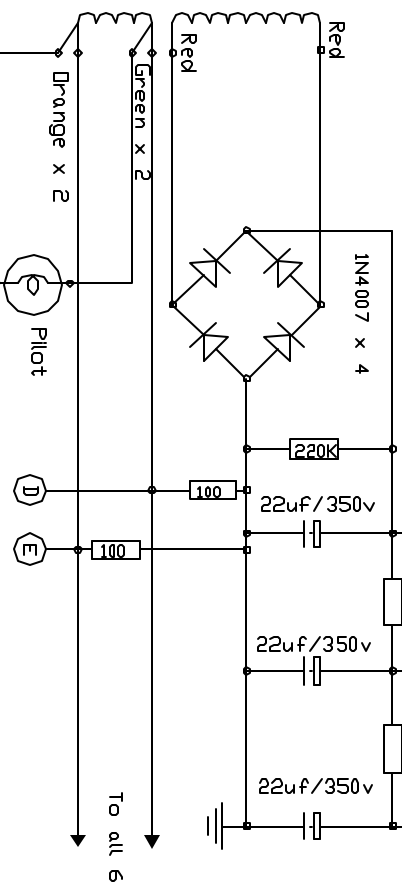
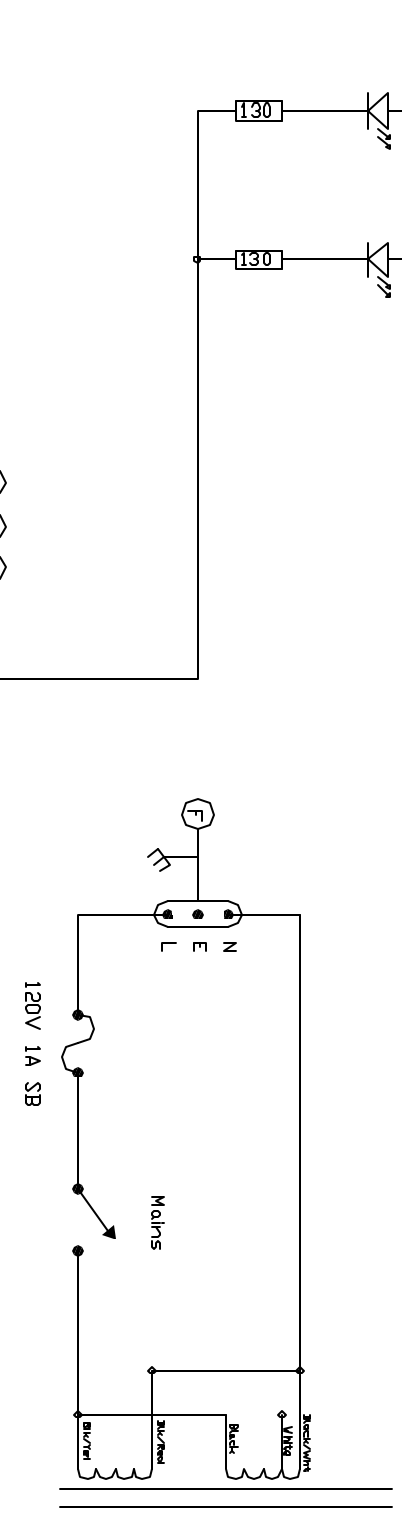


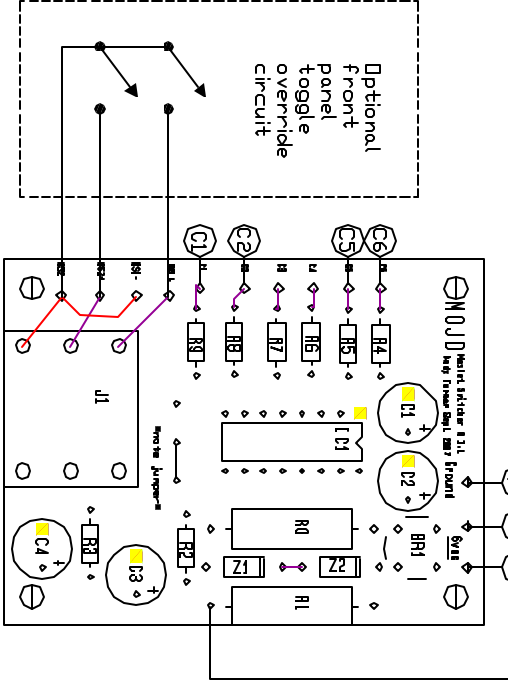
- Notes:
1. All resistors 1/2 watt Carbon Composition unless other wise noted
 2. All coupling caps 'Mallory 150 Series' 400v or greater unless other wise noted
 3. V1 12ax7/Ecc83
 4. All voltages are DC and measured to Ground

Mojo 779-G Power -120v operation shown



To all 6.3v Heaters

- * For 120v Operation the Blk/Vht & Blk/Red, Blk & Blk/Yellw apply 120v Blk/Vht & Blk/Red to Blk and Blk/Yellw
- * For 100v Operation the Blk/Vht & Blk/Red, Blk & Blk/Yel apply 100v Blk & Blk/Vht to Vht
- * For 80v Operation the Blk/Red & Blk apply 80v Blk/Vht to Vht
- * For 240v Operation the Blk & Blk/Red apply 240v Blk/Vht to Blk/Vht



Material	N/A
Finish	N/A
Tolerance	N/A
Part Modded	Gibson LP Jr. Reissue
For Mojo	
Drawn By Andy Turner	
Scale	N/A
Date	11-14-07
Pg	1 of 1



Mojo Musical Supply