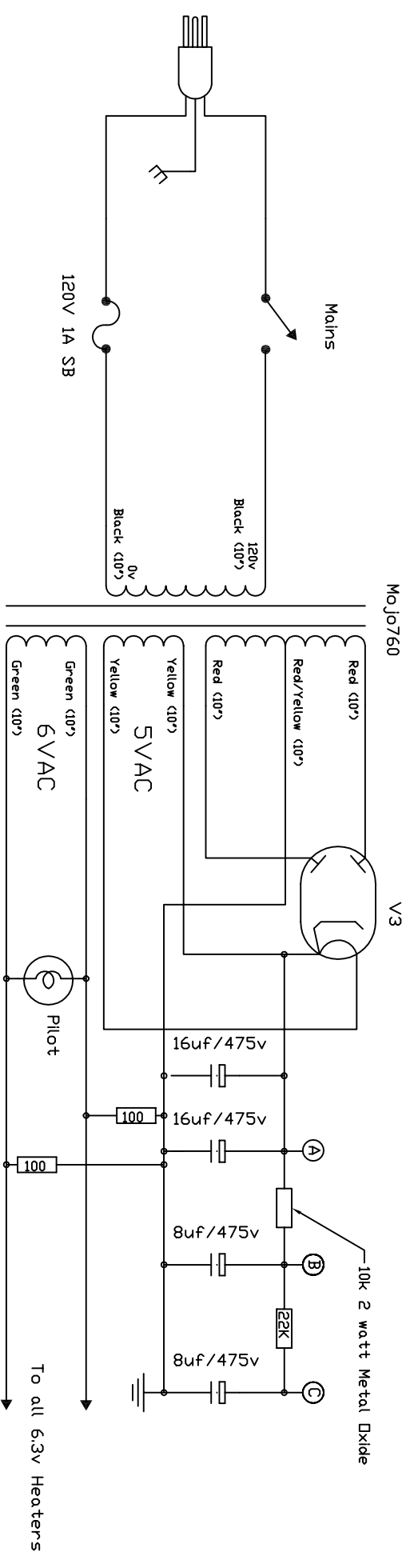


- Notes:
1. All resistors 1/2 watt Carbon Composition unless otherwise noted
  2. All coupling caps normally SBE 600V
  3. V1 12ax7/Ecc83  
V2 6V6  
V3 5Y3



Material	N/A	Units	N/A
Finish	N/A		
Tolerance	N/A		
Part Tweed Princeton 5F2A Schematic			
For Mojo			
Drawn By Andy Turner			
Scale	N/A		
Date	5-18-10		
Pg	1 of 1		