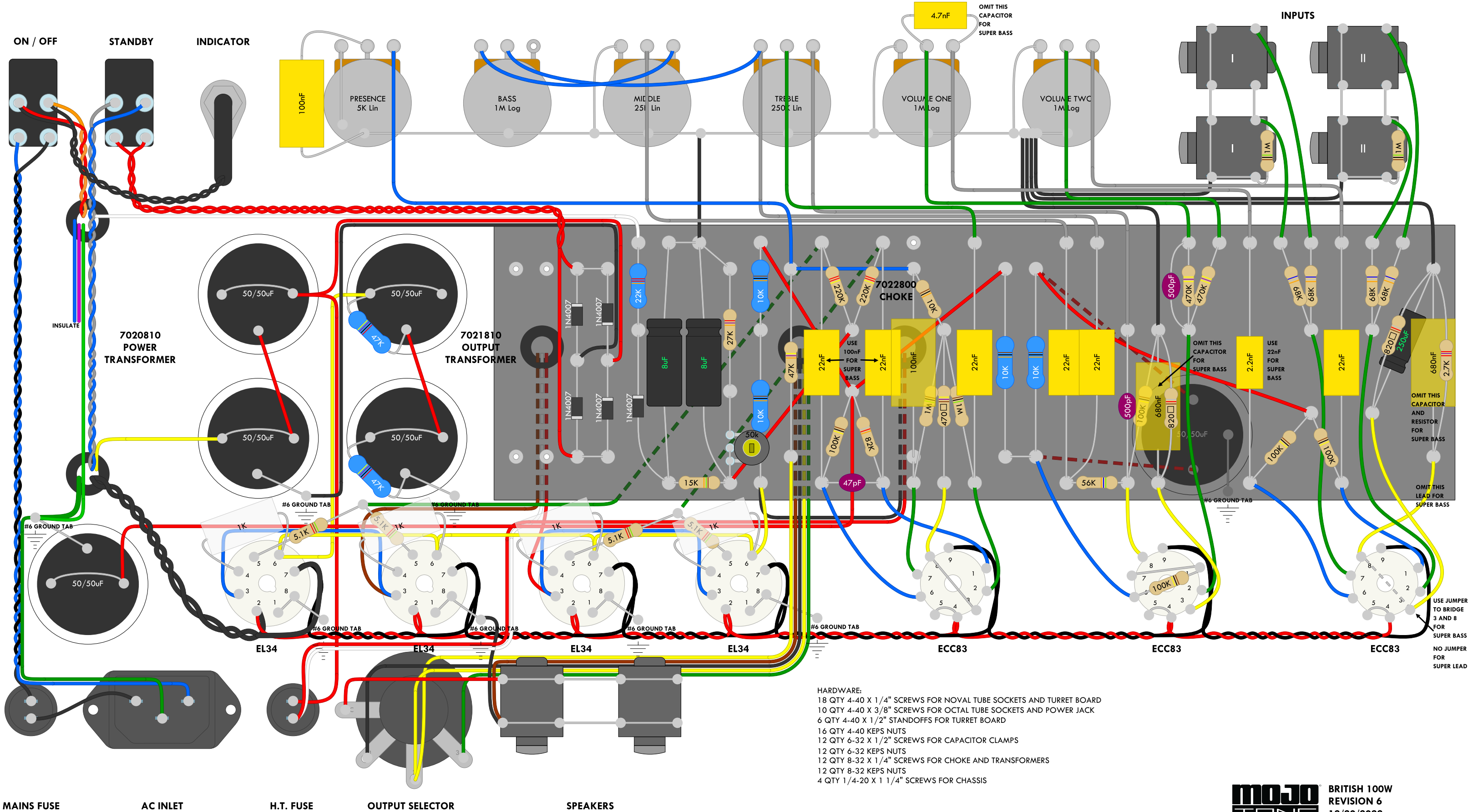


MOJOTONE BRITISH 100W LAYOUT

1959 SUPER LEAD AND 1992 SUPER BASS



- HARDWARE:**
- 18 QTY 4-40 X 1/4" SCREWS FOR NOVAL TUBE SOCKETS AND TURRET BOARD
 - 10 QTY 4-40 X 3/8" SCREWS FOR OCTAL TUBE SOCKETS AND POWER JACK
 - 6 QTY 4-40 X 1/2" STANDOFFS FOR TURRET BOARD
 - 16 QTY 4-40 KEPS NUTS
 - 12 QTY 6-32 X 1/2" SCREWS FOR CAPACITOR CLAMPS
 - 12 QTY 6-32 KEPS NUTS
 - 12 QTY 8-32 X 1/4" SCREWS FOR CHOKE AND TRANSFORMERS
 - 12 QTY 8-32 KEPS NUTS
 - 4 QTY 1/4-20 X 1 1/4" SCREWS FOR CHASSIS