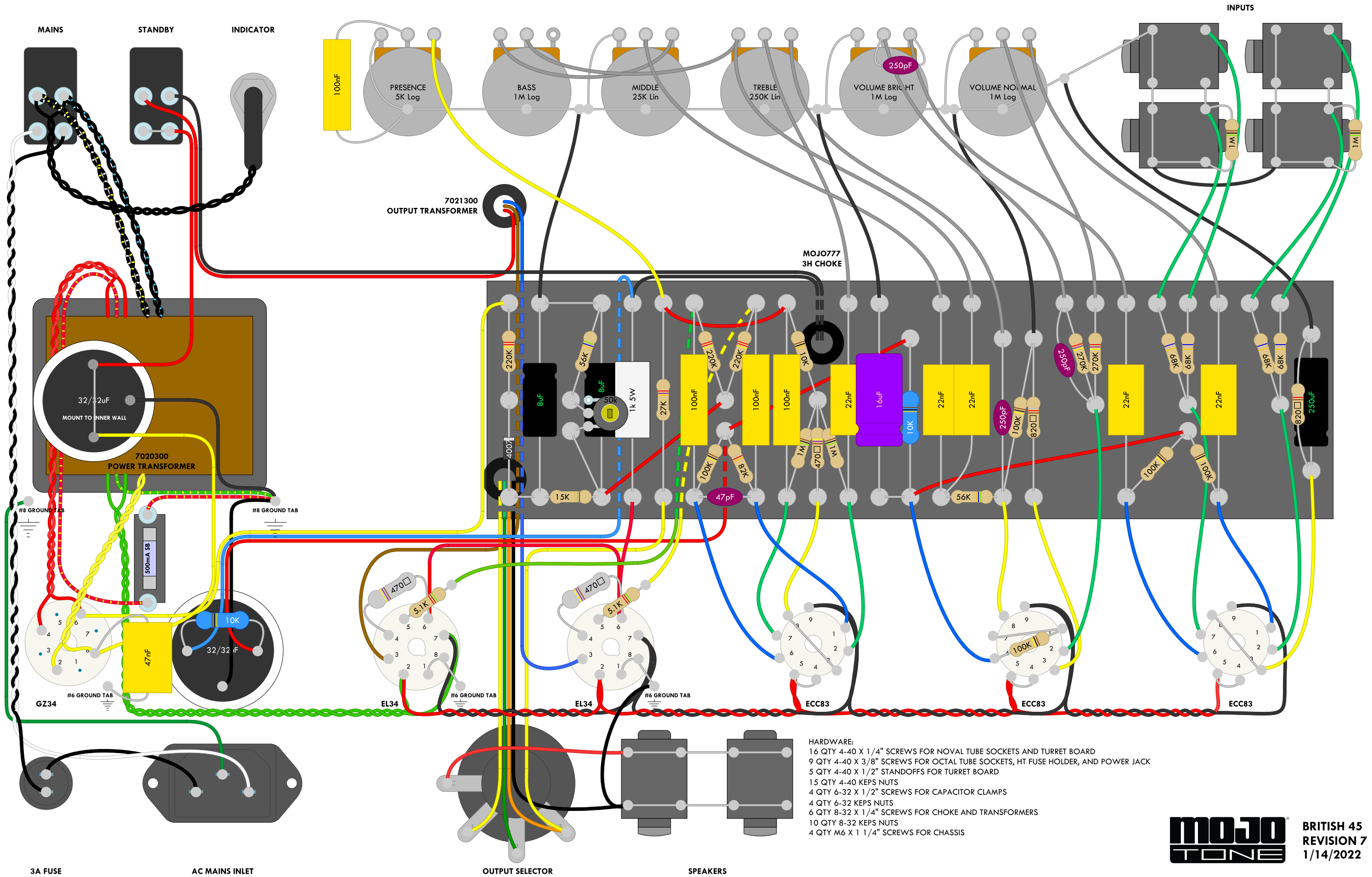


MOJOTONE BRITISH 45 WIRING DIAGRAM



- HARDWARE:**
- 16 QTY 4-40 X 1/4" SCREWS FOR NOVAL TUBE SOCKETS AND TURRET BOARD
 - 9 QTY 4-40 X 3/8" SCREWS FOR OCTAL TUBE SOCKETS, HT FUSE HOLDER, AND POWER JACK
 - 5 QTY 4-40 X 1/2" STANDOFFS FOR TURRET BOARD
 - 15 QTY 4-40 KEPS NUTS
 - 4 QTY 6-32 X 1/2" SCREWS FOR CAPACITOR CLAMPS
 - 4 QTY 6-32 KEPS NUTS
 - 6 QTY 8-32 X 1/4" SCREWS FOR CHOKE AND TRANSFORMERS
 - 10 QTY 8-32 KEPS NUTS
 - 4 QTY M6 X 1 1/4" SCREWS FOR CHASSIS