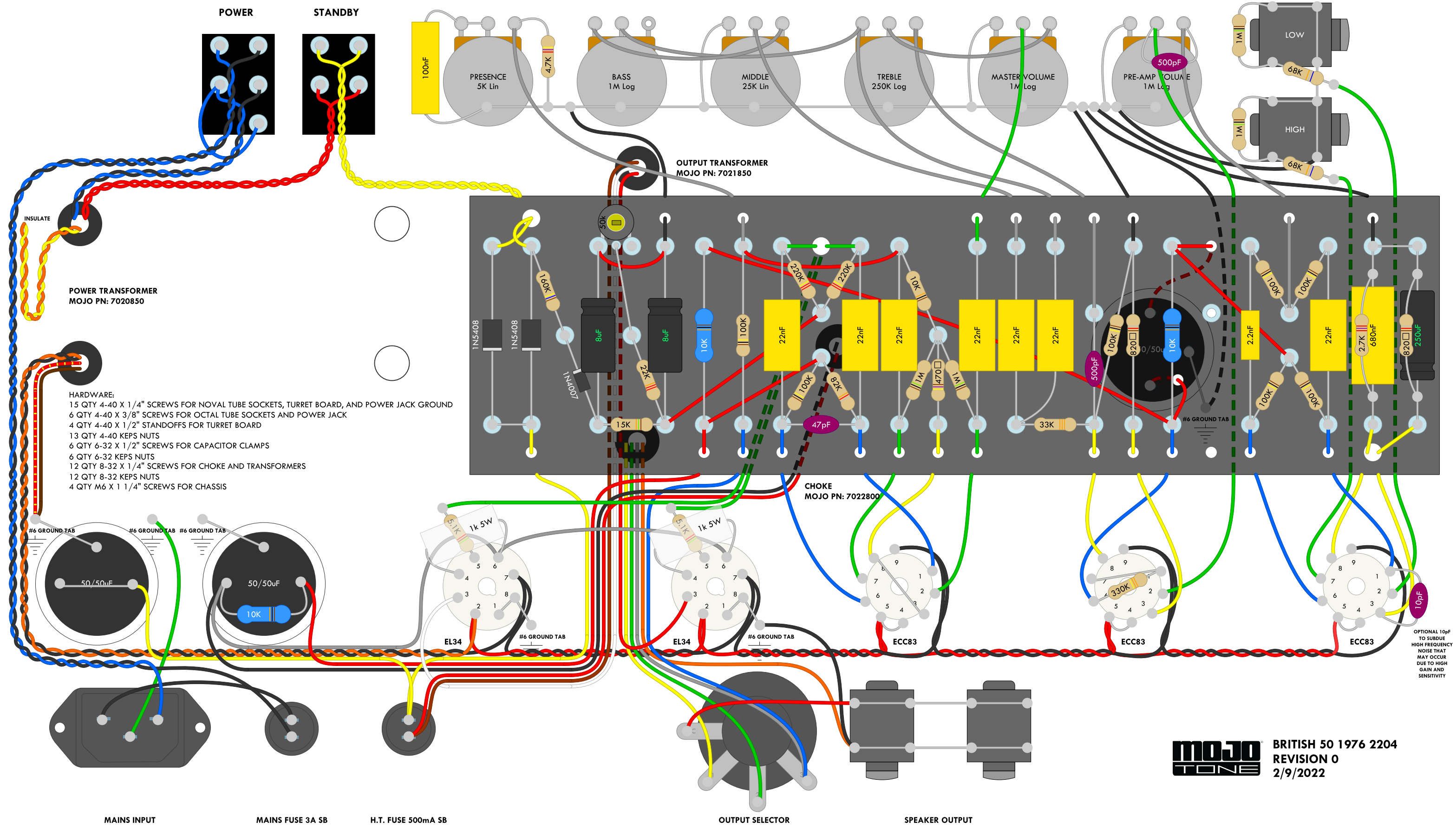


MOJOTONE BRITISH 50 WIRING DIAGRAM

1976 2204 MODEL WITH MASTER VOLUME



- HARDWARE:**
 15 QTY 4-40 X 1/4" SCREWS FOR NOVAL TUBE SOCKETS, TURRET BOARD, AND POWER JACK GROUND
 6 QTY 4-40 X 3/8" SCREWS FOR OCTAL TUBE SOCKETS AND POWER JACK
 4 QTY 4-40 X 1/2" STANDOFFS FOR TURRET BOARD
 13 QTY 4-40 KEPS NUTS
 6 QTY 6-32 X 1/2" SCREWS FOR CAPACITOR CLAMPS
 6 QTY 6-32 KEPS NUTS
 12 QTY 8-32 X 1/4" SCREWS FOR CHOKE AND TRANSFORMERS
 12 QTY 8-32 KEPS NUTS
 4 QTY M6 X 1 1/4" SCREWS FOR CHASSIS

OPTIONAL 10pF TO SUBDUE HIGH FREQUENCY NOISE THAT MAY OCCUR DUE TO HIGH GAIN AND SENSITIVITY

MAINS INPUT MAINS FUSE 3A SB H.T. FUSE 500mA SB OUTPUT SELECTOR SPEAKER OUTPUT