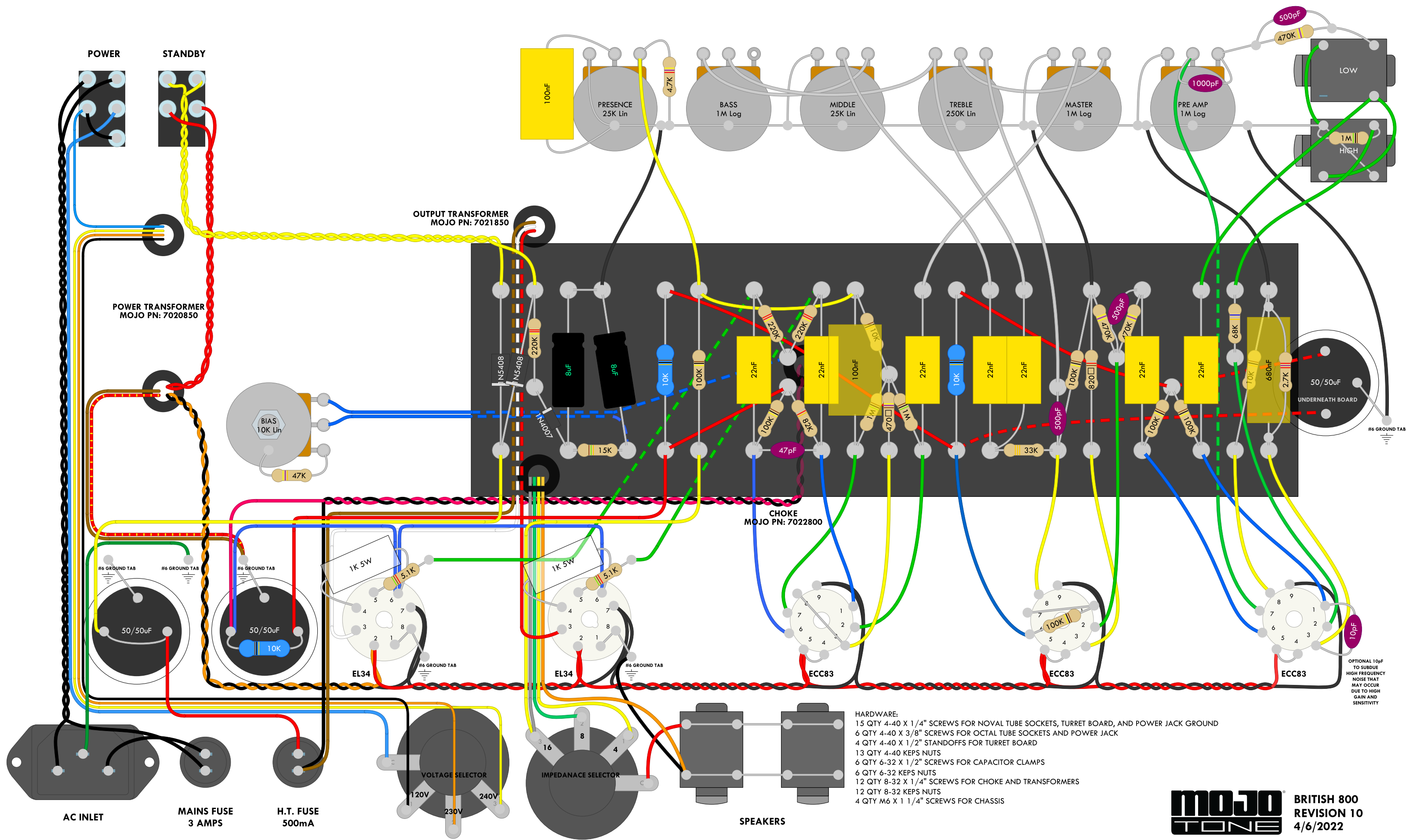


# MOJOTONE BRITISH 800 WIRING DIAGRAM



OPTIONAL 10pF TO SUBDUCE HIGH FREQUENCY NOISE THAT MAY OCCUR DUE TO HIGH GAIN AND SENSITIVITY

- HARDWARE:**
- 15 QTY 4-40 X 1/4" SCREWS FOR NOVAL TUBE SOCKETS, TURRET BOARD, AND POWER JACK GROUND
  - 6 QTY 4-40 X 3/8" SCREWS FOR OCTAL TUBE SOCKETS AND POWER JACK
  - 4 QTY 4-40 X 1/2" STANDOFFS FOR TURRET BOARD
  - 13 QTY 4-40 KEPS NUTS
  - 6 QTY 6-32 X 1/2" SCREWS FOR CAPACITOR CLAMPS
  - 6 QTY 6-32 KEPS NUTS
  - 12 QTY 8-32 X 1/4" SCREWS FOR CHOKE AND TRANSFORMERS
  - 12 QTY 8-32 KEPS NUTS
  - 4 QTY M6 X 1 1/4" SCREWS FOR CHASSIS