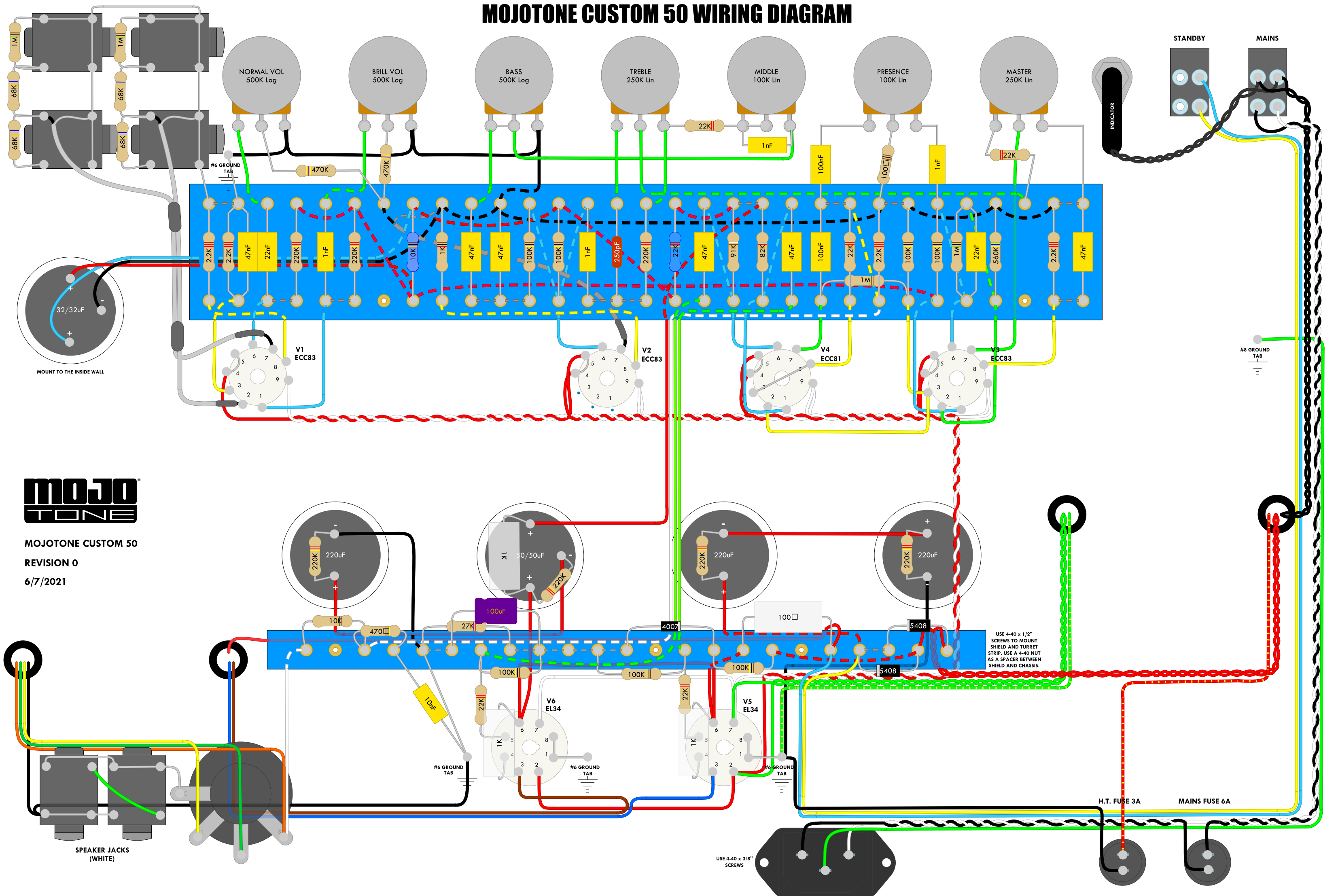


MOJOTONE CUSTOM 50 WIRING DIAGRAM



MOJOTONE CUSTOM 50
 REVISION 0
 6/7/2021

USE 4-40 x 1/2" SCREWS TO MOUNT SHIELD AND TURRET STRIP. USE A 4-40 NUT AS A SPACER BETWEEN SHIELD AND CHASSIS.

USE 4-40 x 3/8" SCREWS

SPEAKER JACKS (WHITE)

H.T. FUSE 3A

MAINS FUSE 6A

INDICATOR

STANDBY

MAINS

#6 GROUND TAB

#8 GROUND TAB

MOUNT TO THE INSIDE WALL