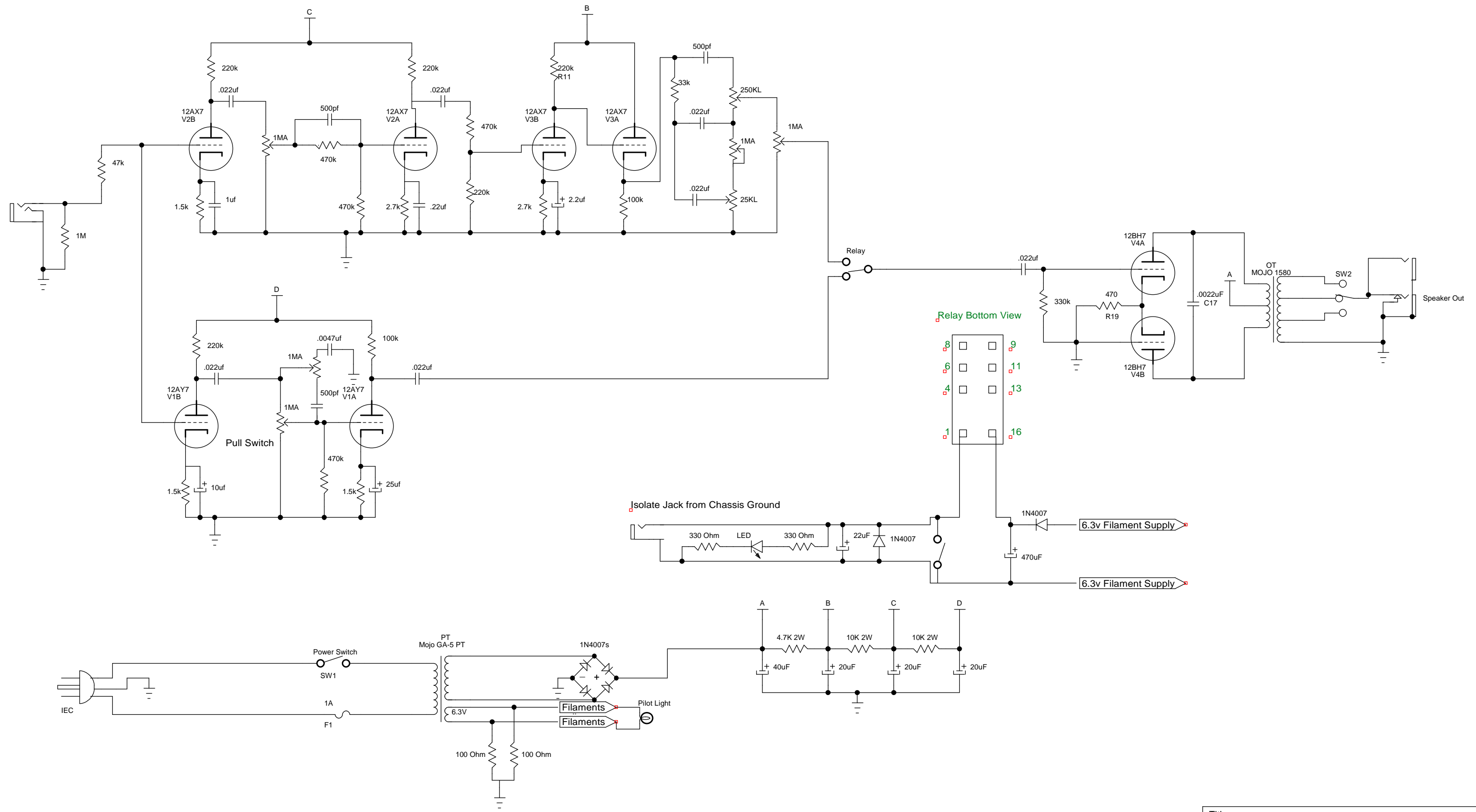


*** V1 can be swapped out with a 12AX7 for more crunch and earlier breakup on the clean channel



Title Studio One Amp Kit		
Author Steve Snyder Mojotone		
File otone Studio One\Old Designs\MBA HG Amp.dsn	Document	
Revision 1.4	Date 02/10/2016	Sheets 1 of 1