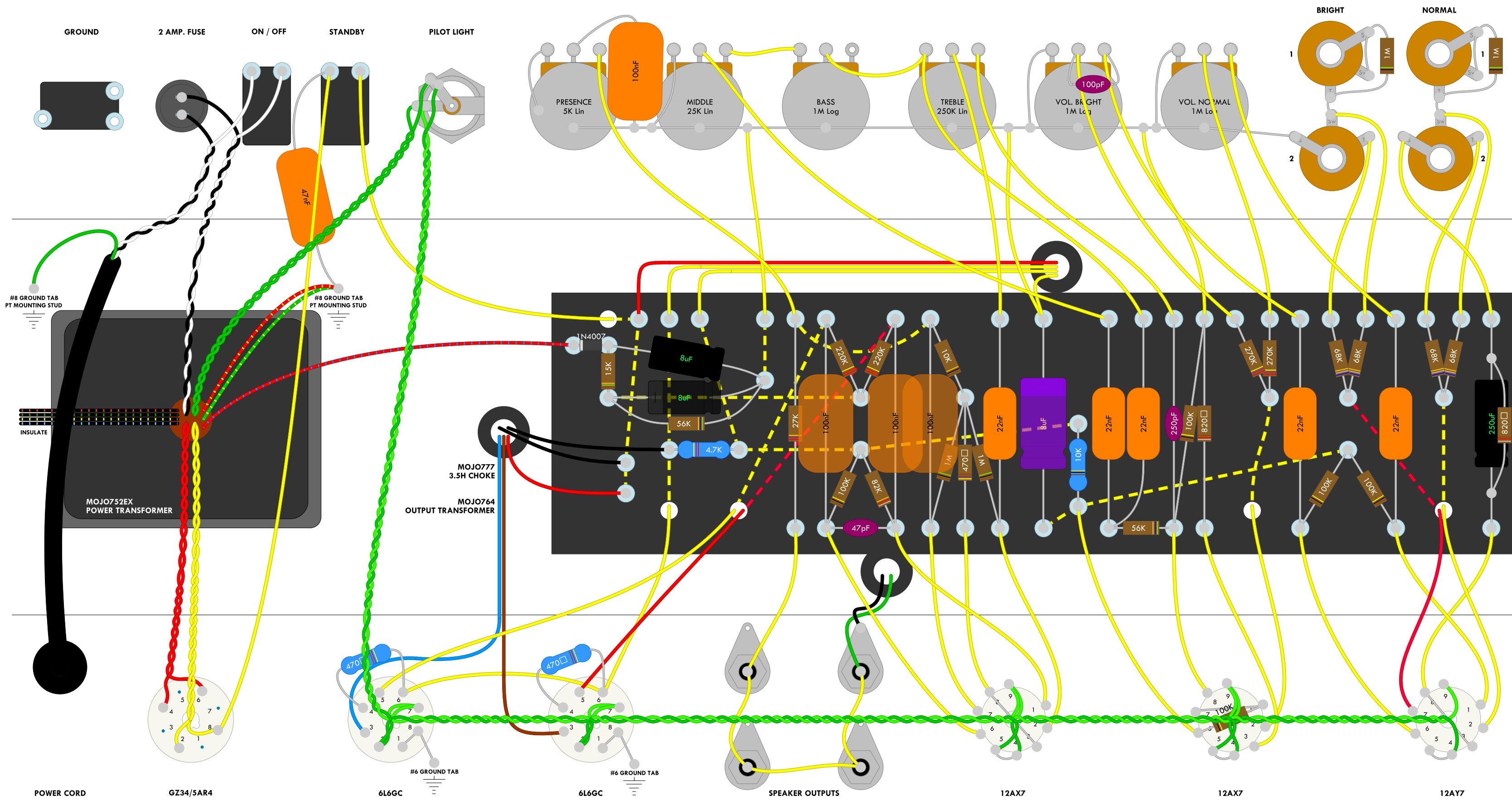


# MOJOTONE TWEED BASSMAN WIRING DIAGRAM



- HARDWARE:**  
 10 QTY 4-40 X 1/4" SCREWS FOR NOVAL TUBE SOCKETS AND CAPACITOR PAN  
 6 QTY 4-40 X 3/8" SCREWS FOR OCTAL TUBE SOCKETS  
 16 QTY 4-40 KEPS NUTS  
 2 QTY 6-32 X 1/2" SCREWS FOR EYELET BOARD  
 2 QTY 6-32 KEPS NUTS  
 6 QTY 8-32 X 1/4" SCREWS FOR CHOKE AND OUTPUT TRANSFORMER  
 10 QTY 8-32 KEPS NUTS FOR CHOKE AND TRANSFORMERS  
 2 QTY 10-32 X 1 1/2" SCREWS FOR CHASSIS  
 2 QTY 10-32 KEPS NUTS

