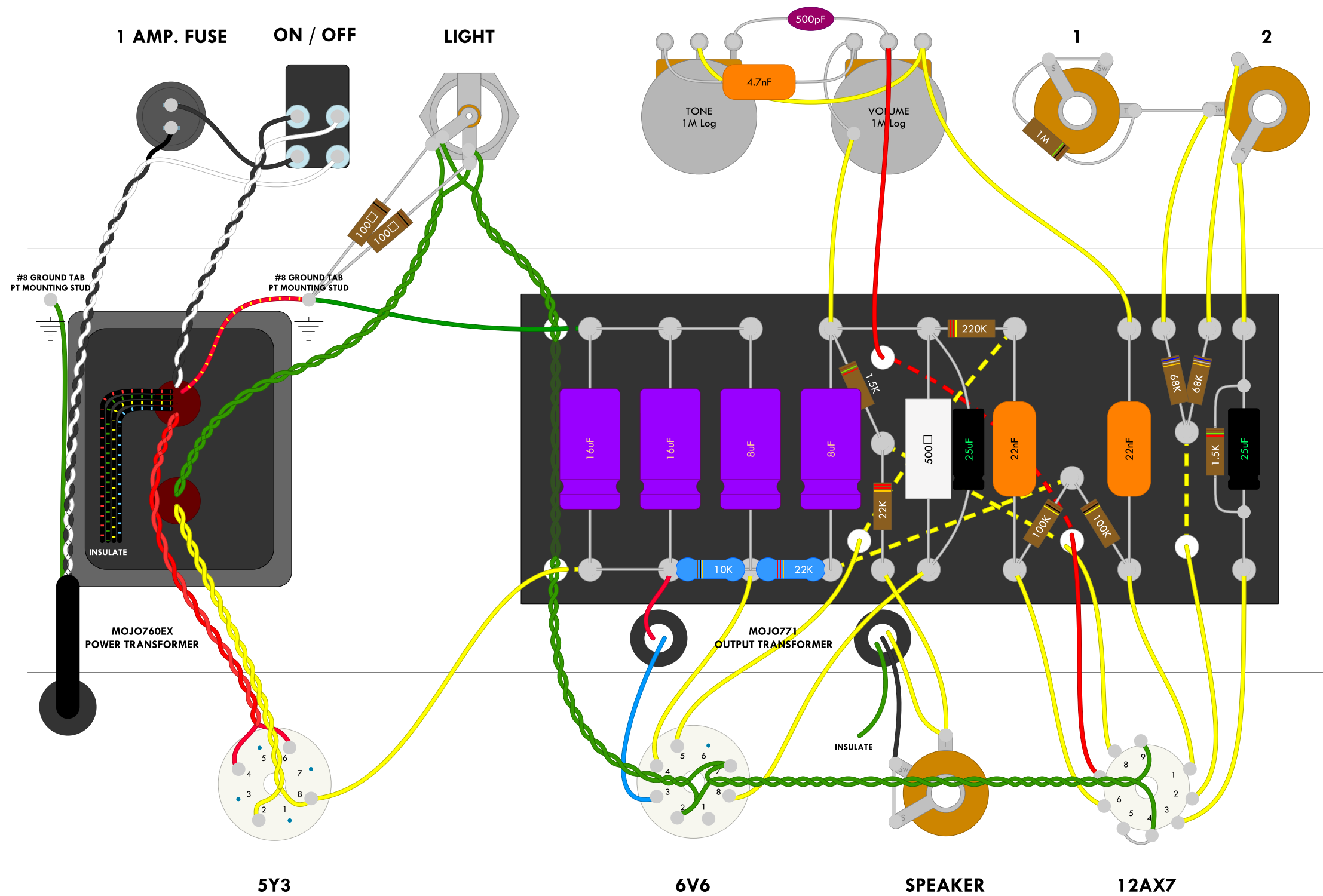


MOJOTONE TWEED PRINCETON WIRING DIAGRAM



- HARDWARE:**
 2 QTY 4-40 X 1/4" SCREWS FOR NOVAL TUBE SOCKET
 4 QTY 4-40 X 3/8" SCREWS FOR OCTAL TUBE SOCKETS
 6 QTY 4-40 KEPS NUTS
 2 QTY 6-32 X 1/2" SCREWS FOR EYELET BOARD
 2 QTY 6-32 KEPS NUTS
 2 QTY 8-32 X 1/4" SCREWS FOR OUTPUT TRANSFORMER
 6 QTY 8-32 KEPS NUTS FOR TRANSFORMERS
 2 QTY 10-32 X 1 1/2" SCREWS FOR CHASSIS
 2 QTY 10-32 KEPS NUTS



5F2A TWEED PRINCETON
REVISION 4
 6/29/2022