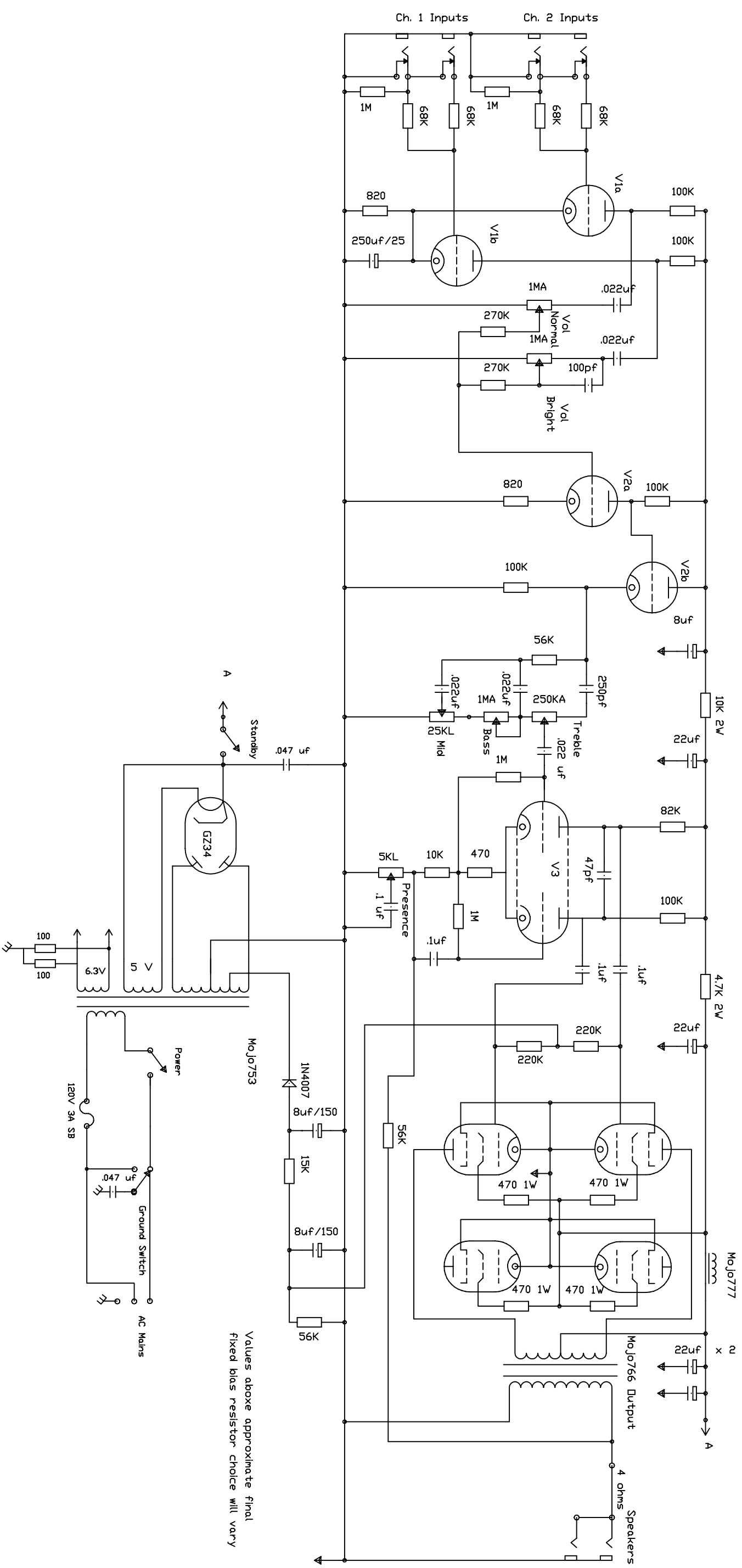


REV BY DATE NOTE

REV CHANGE



Values above approximate final
fixed bias resistor choice will vary

TOLERANCE: N/A
MATERIAL: N/A
FINISH: N/A

UNITS: N/A
PART NAME:
PART DESC: Schematic For 5F8A Kits
MOJO PN:

FILE: MK-TTHP-SCH.DWG
DRAWN BY: Andy Turner

DATE: 09-12-08
PRINT SCALE: N/A
DRAWN SCALE: N/A
Pg: 1 of 1

Mojo Musical Supply
Tel (910)259-7291 Fax (910)259-7292