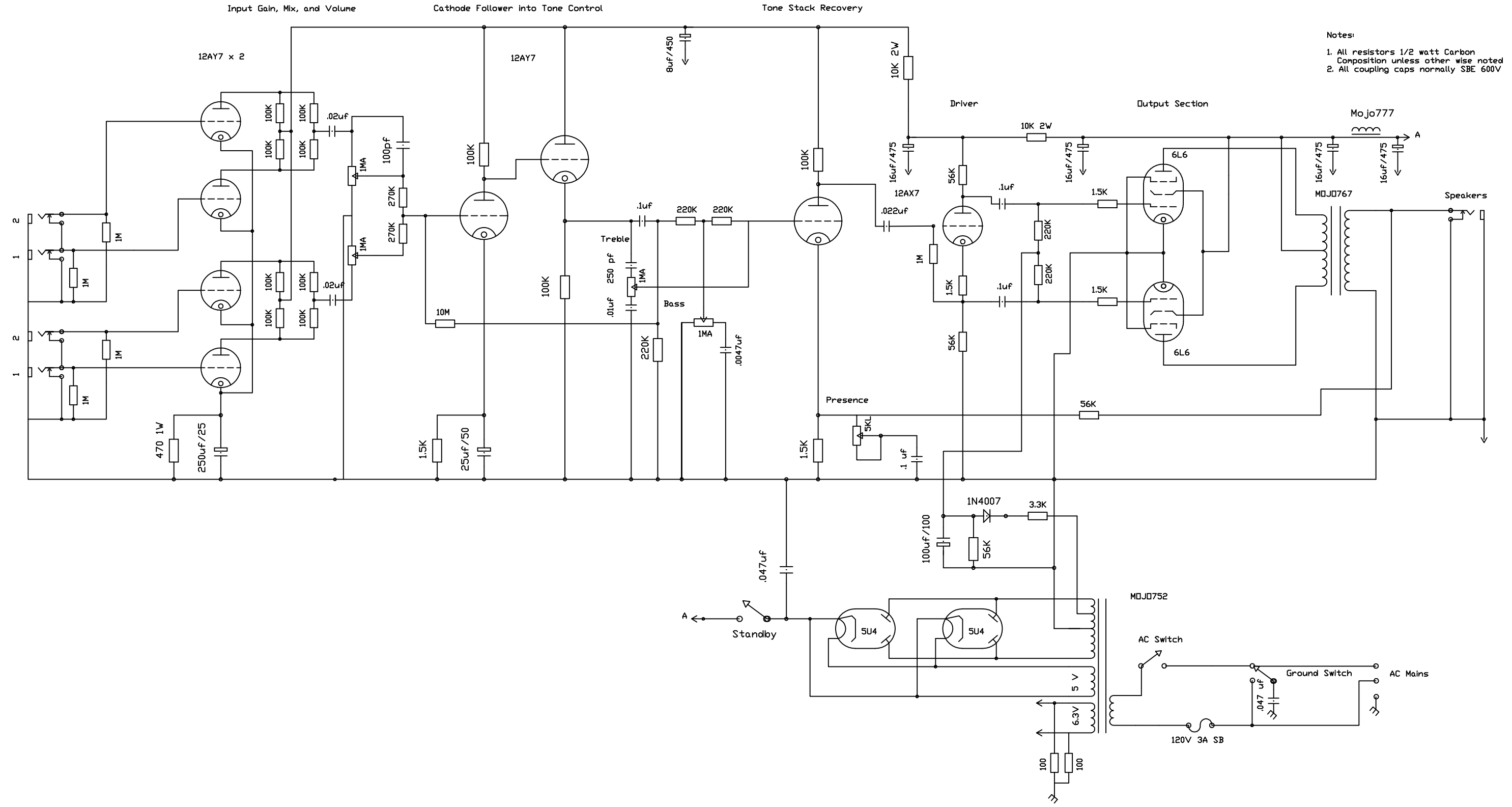


REV CHANGE			
REV	BY	DATE	NOTE



Notes:  
 1. All resistors 1/2 watt Carbon Composition unless other wise noted  
 2. All coupling caps normally SBE 600V

TOLERANCE:N/A	UNITS:N/A	PART NAME:MK-TTLP-SCH	FILE:MK-TTLP-SCH.DWG	DATE:08-28-08
MATERIAL:N/A		PART DESC:Schematic For Mojo TTLP	DRAWN BY:Andy Turner	PRINT SCALE:N/A
FINISH:N/A		MOJO PN:D-MK-TTLP-SCH		DRAWN SCALE:N/A
				Pg:1of1



Mojo Musical Supply  
 Tel 910-259-7291 Fax 910-259-7292