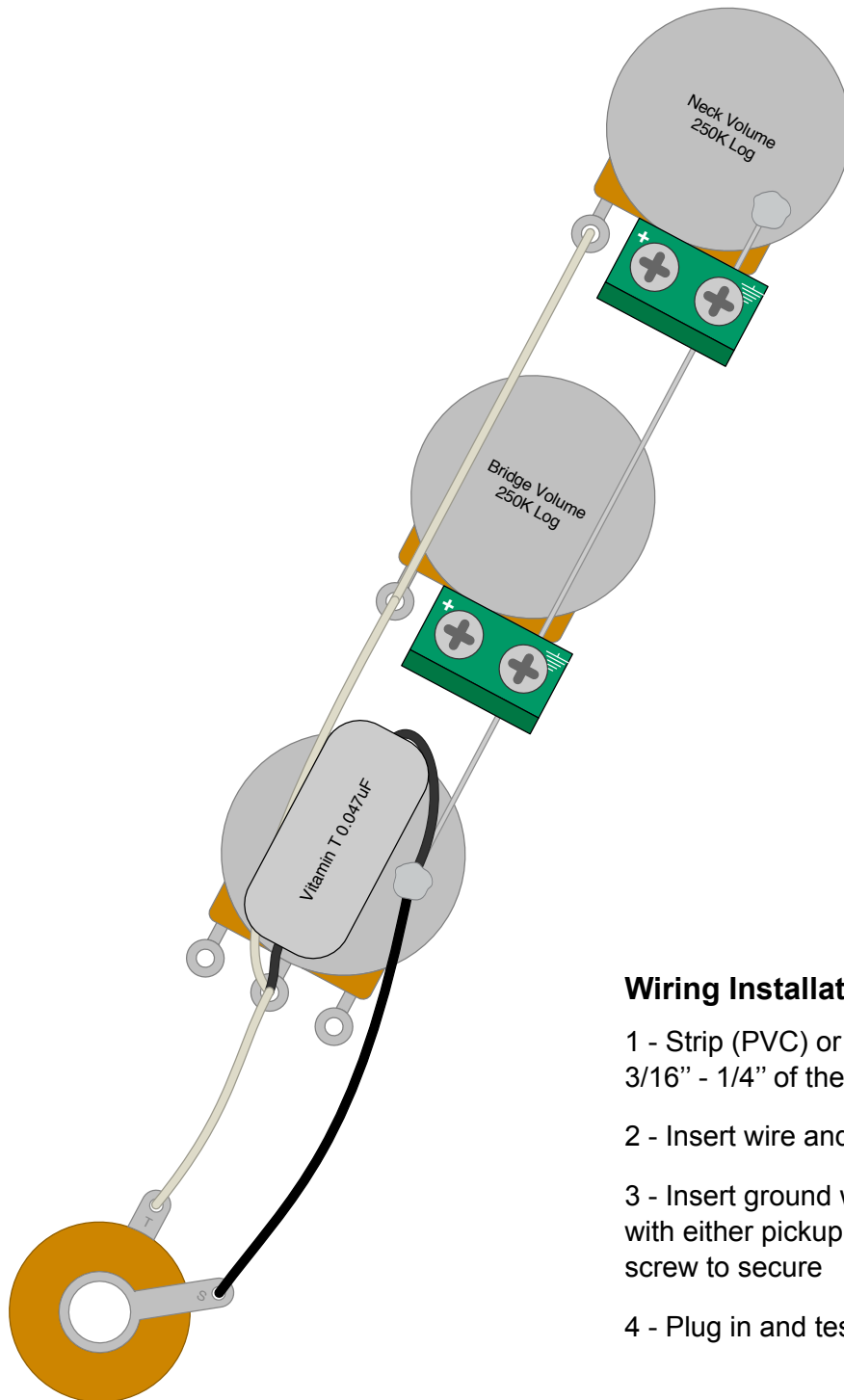


mojo[®] TONE

BUILD. MODIFY. REPAIR.

JAZZ BASS SOLDERLESS WIRING DIAGRAM



Wiring Installation Instructions:

- 1 - Strip (PVC) or push back (Cloth) insulation to expose about 3/16" - 1/4" of the wire.
- 2 - Insert wire and tighten the screw to secure
- 3 - Insert ground wire from Tremelo/Bridge and twist together with either pickup ground wire into the same terminal. Tighten screw to secure
- 4 - Plug in and test everything before final installation.

137 WORTH BEVERAGE DR • BURGAW, NC 28425

PH: 910.259.7291 • EMAIL: INFO@MOJOTONE.COM • WEBSITE: MOJOTONE.COM

© COPYRIGHT 2018. MOJOTONE® IS A REGISTERED TRADEMARK OF NOTHING SHOCKING LLC DBA MOJO MUSICAL SUPPLY