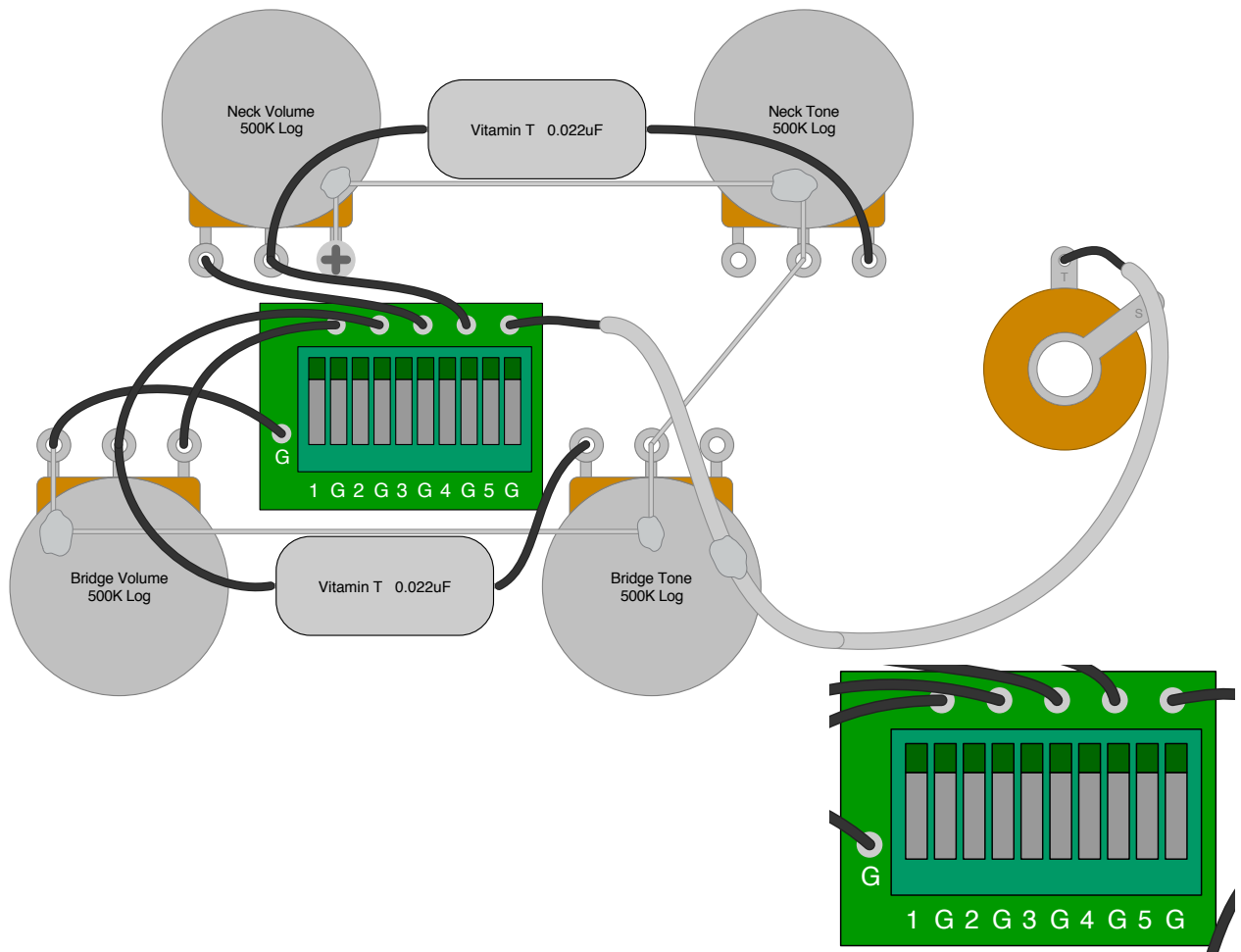


## LES PAUL SOLDERLESS WIRING DIAGRAM



### Wiring Installation Instructions:

- 1 - Strip (PVC) or push back (Cloth) insulation to expose about 3/16" - 1/4" of the wire.
- 2 - Push button on solderless terminal to insert wire and release button to secure
- 3 - Insert ground wire from Tremolo/Bridge into the screw terminal on the volume pot. Tighten screw to secure.
- 4 - Plug in and test everything before final installation.

### Wiring Reference:

- 1 - Bridge Pickup Hot
- G - Bridge Pickup Ground
- 2 - Switch Red Wire (Bridge Position)
- G - Switch Black Wire 1 (Ground)
- 3 - Neck Pickup Hot
- G - Neck Pickup Ground
- 4 - Switch Green Wire (Neck Position)
- G - Switch Black Wire 2 (Ground)
- 5 - Switch White Wire (Jack Hot)
- G - Shielding Wire (Optional)