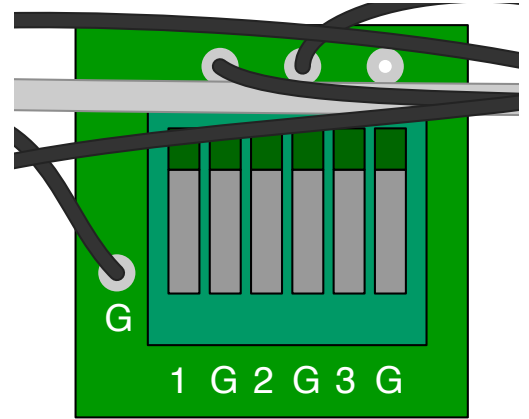
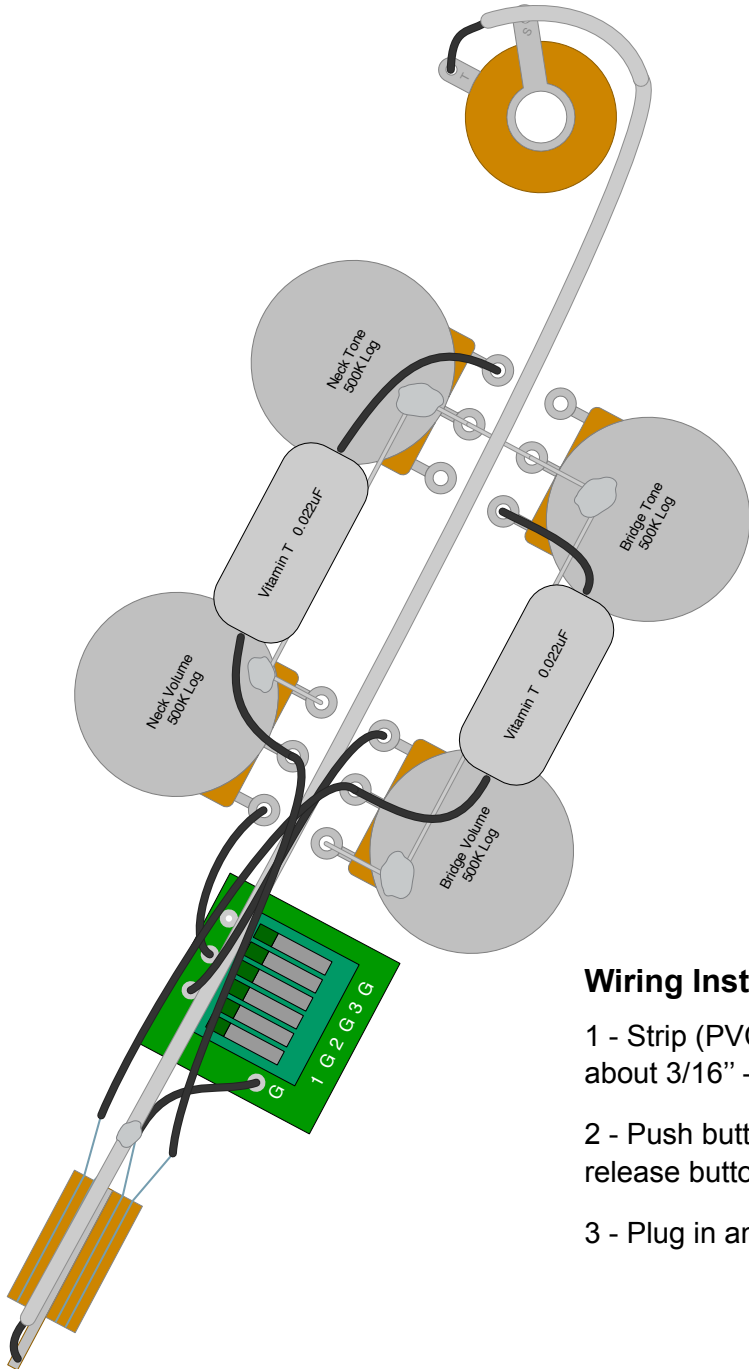


mojo[®] TONE

BUILD. MODIFY. REPAIR.

SG SOLDERLESS WIRING DIAGRAM



Wiring Reference:

- 1 - Bridge Pickup Hot
- G - Bridge Pickup Ground
- 2 - Neck Pickup Hot
- G - Neck Pickup Ground
- 3 - Open
- G - Bridge Ground

Wiring Installation Instructions:

- 1 - Strip (PVC) or push back (Cloth) insulation to expose about 3/16" - 1/4" of the wire.
- 2 - Push button on solderless terminal to insert wire and release button to secure
- 3 - Plug in and test everything before final installation.

137 WORTH BEVERAGE DR • BURGAW, NC 28425

PH: 910.259.7291 • EMAIL: INFO@MOJOTONE.COM • WEBSITE: MOJOTONE.COM

© COPYRIGHT 2018. MOJOTONE® IS A REGISTERED TRADEMARK OF NOTHING SHOCKING LLC DBA MOJO MUSICAL SUPPLY