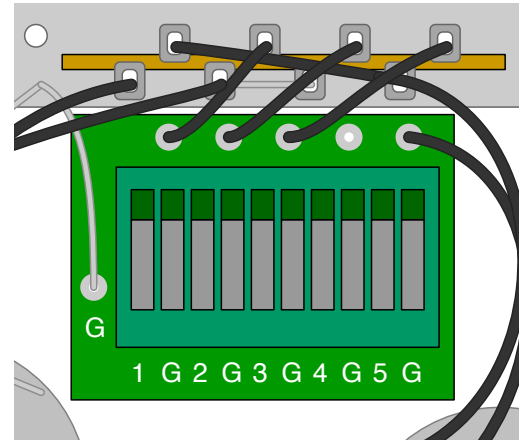
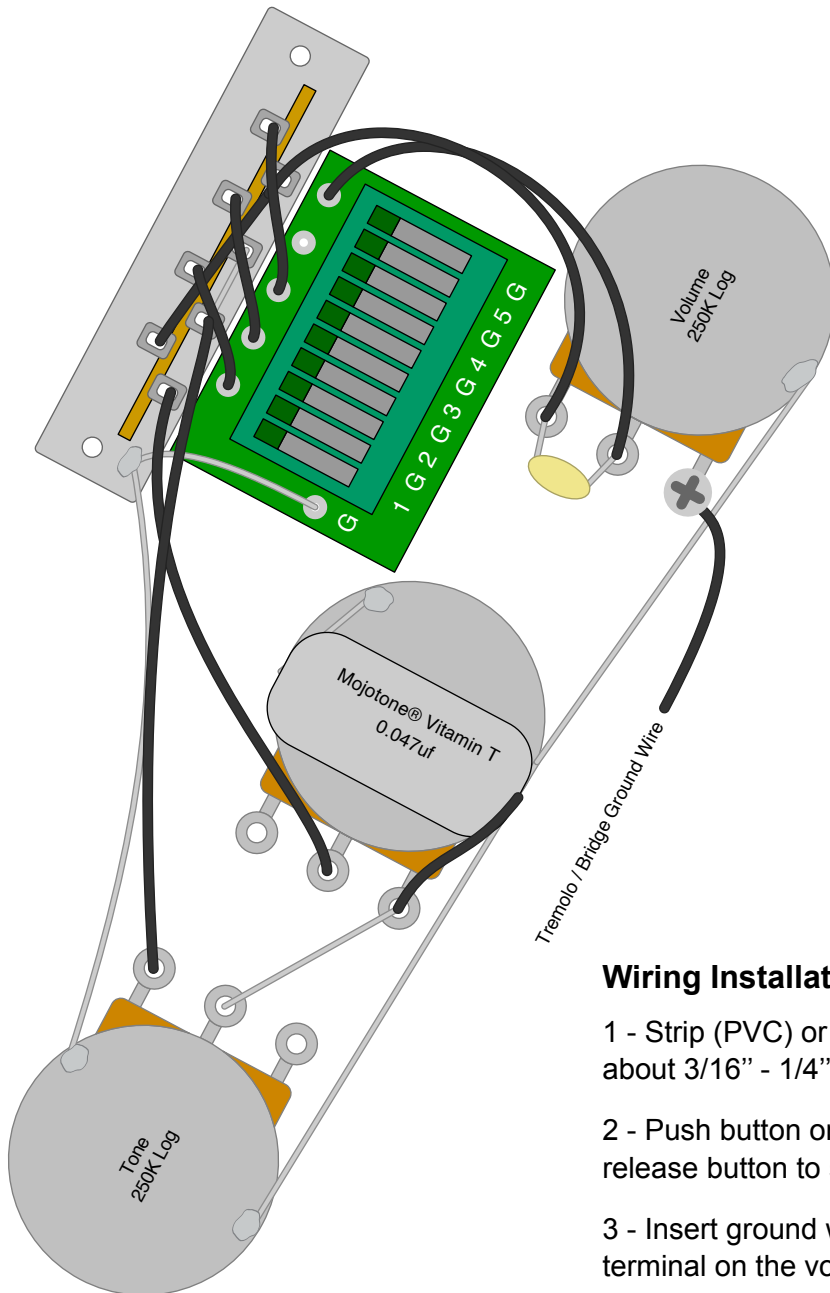


mojo[®] TONE

BUILD. MODIFY. REPAIR.

STRAT 5-WAY SOLDERLESS WIRING DIAGRAM



Wiring Reference:

- 1 - Neck Pickup Hot
- G - Neck Pickup Ground
- 2 - Middle Pickup Hot
- G - Middle Pickup Ground
- 3 - Bridge Pickup Hot
- G - Bridge Pickup Ground
- 4 - No Connection
- G - Shielding Ground (Optional)
- 5 - Input Jack Hot
- G - Input Jack Ground

Wiring Installation Instructions:

- 1 - Strip (PVC) or push back (Cloth) insulation to expose about 3/16" - 1/4" of the wire.
- 2 - Push button on solderless terminal to insert wire and release button to secure
- 3 - Insert ground wire from Tremolo/Bridge into the screw terminal on the volume pot. Tighten screw to secure.
- 4 - Plug in and test everything before final installation.

137 WORTH BEVERAGE DR • BURGAW, NC 28425

PH: 910.259.7291 • EMAIL: INFO@MOJOTONE.COM • WEBSITE: MOJOTONE.COM

© COPYRIGHT 2018. MOJOTONE® IS A REGISTERED TRADEMARK OF NOTHING SHOCKING LLC DBA MOJO MUSICAL SUPPLY