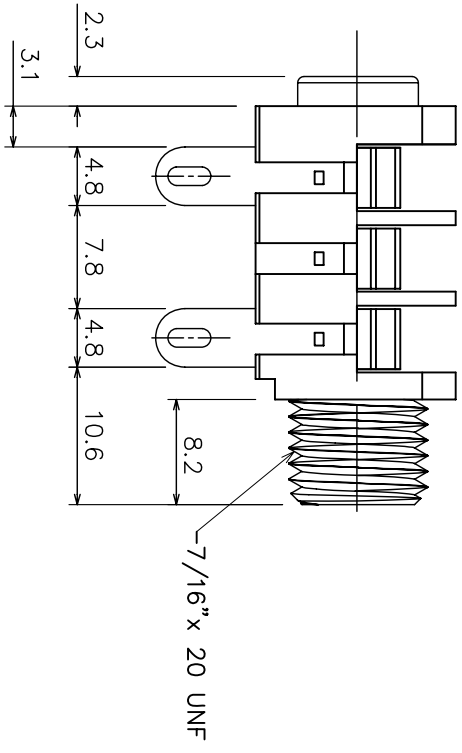
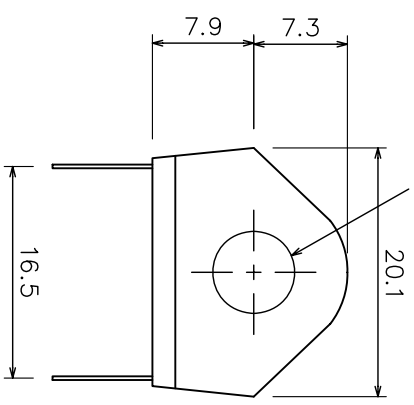
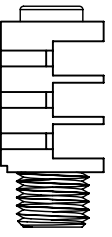



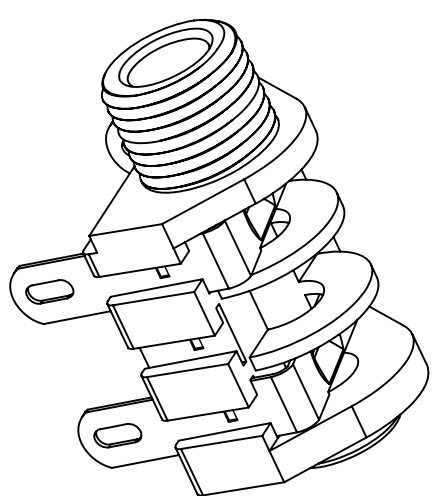


INTERNAL HOLE DIA. Ø6.4



MATERIAL PROPERTIES

Parts	Description	Material	Remark
	Jack Body	Polyamide	Black
	FIBRE WASHER (1.6mm Th.)	Vulcanized Fibre	Black
	Plastic Nut	Polyamide	Black
	Metal Contact	Nickel Silver	Tin Plated



DIMENSIONS IN MILLIMETERS  
3rd ANGLE PROJECTION  
SCALE: N.T.S.

SUPPLY NUTS, BEZELS AND WASHERS AS LOOSE PARTS

DRAWN	MATERIAL:	SEE TABLE
PYQ		
CHECKED	FINISH:	AS MOULDED
PCS		
ISSUE	AMEND	DATE
1	1st DRAWN	08/08/14

TOLERANCES  
NO DECIMAL PLACE ± 1.0  
1 DECIMAL PLACE ± 0.5  
2 DECIMAL PLACES ± 0.1  
DIAMETER HOLES ± 0.1  
ANGLES ± 1/2 DEGREE  
(UNLESS OTHERWISE STATED)



TITLE: 6.35 PHONE JACK, SOLDER TAG/BNB

DRWG NO.: JT-2050