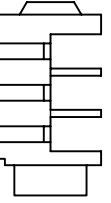




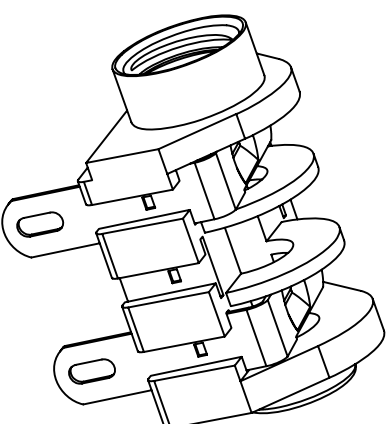


INTERNAL HOLE DIA. Ø6.4



MATERIAL PROPERTIES

Parts	Description	Material	Remark
	Jack Body	Polyamide	Black
	Fibre Washer (2 Nos.)	Vulcanized Fibre	Black
	Metal Nut (3/8" x 20TPi)	Brass	Black
	Bezel	PP	Black
	Metal Contact	Nickel Silver	Tin Plated



ISOMETRIC VIEW

DIMENSIONS IN MILLIMETERS  
3rd ANGLE PROJECTION  
SCALE: N.T.S

SUPPLY NUTS, BEZELS AND WASHERS AS LOOSE PARTS

DRAWN	PYQ	MATERIAL:	SEE TABLE
CHECKED	PCS	FINISH:	AS MOULDED
ISSUE	AMEND	DATE	
1		02/08/14	

TOLERANCES	
NO DECIMAL PLACE ± 1.0	
1 DECIMAL PLACE ± 0.5	
2 DECIMAL PLACES ± 0.1	
DIAMETER HOLES ± 0.1	
ANGLES ± 1/2 DEGREE	
(UNLESS OTHERWISE STATED)	



TITLE: 6.35 PHONE JACK, SOLDER TAG/SNS  
DRWG NO: JT-4010