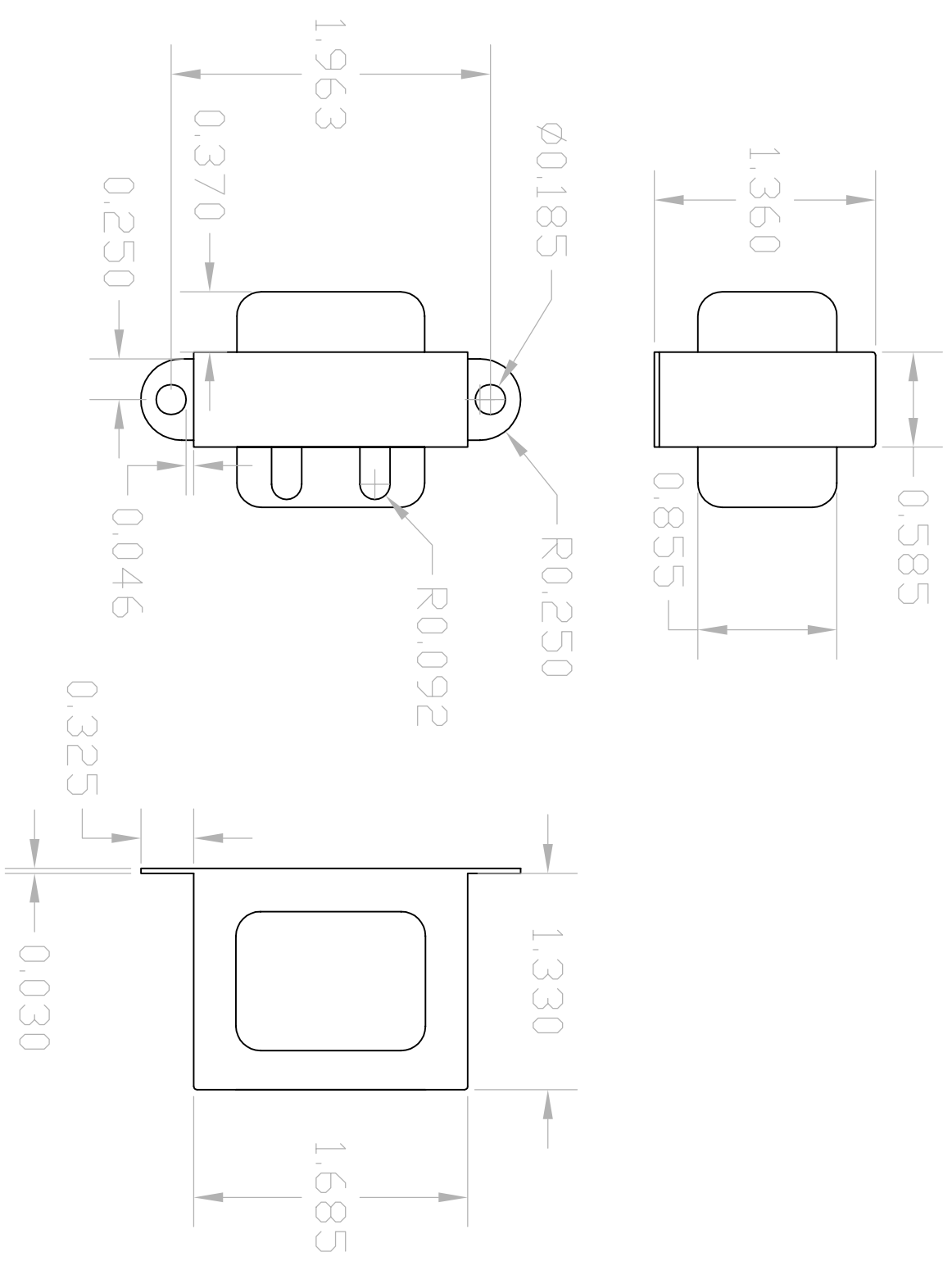


REV CHANGE			
REV	BY	DATE	NOTE




Black (6")
 4.8 HY 75 ma 160 ohms
 Black (6")

ALL LEAD LENGTHS MEASURED FROM EXIT OF BELL, OR EXIT FROM WINDING IF BELL IS NOT USED

TOLERANCE: +/- .05	UNITS: INCHES
MATERIAL: N/A	
FINISH: SILVER BELLS	
PART NAME: MOJD 6V6C / MOJD 778	
PART DESC: FILTER CHOKE	
MOJD PN: MOJD778	
FILE: MOJD 778 / 6V6C	
DRAWN BY: JESSE SHARRON	
DATE: 9-22-05	
PRINT SCALE: 1:1	
DRAWN SCALE: 1:1	
Pg: 1 of 1	

Mojo Musical Supply
 Tel (910) 259-7291 Fax (910) 259-7292



ALL DIMENSIONS ARE TAKEN FROM PRODUCTION SAMPLES AND SHOULD BE KEPT WITHIN TOLERANCE. IF WINDING SPECS. DEMAND ANY DIMENSIONS TO CHANGE, CONTACT JESSE SHARRON FOR APPROVAL.