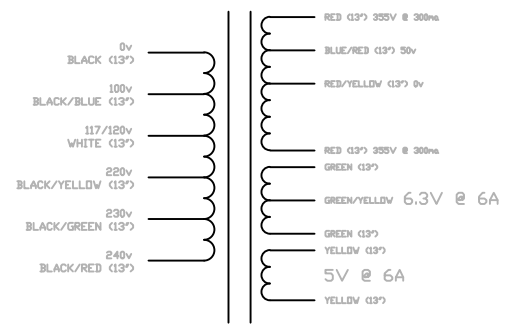



| REV CHANGE |    |      |      |
|------------|----|------|------|
| REV        | BY | DATE | NOTE |
|            |    |      |      |



|   |   |
|---|---|
| TOLERANCE: +/- .05  | UNITS: INCHES   |
| MATERIAL: N/A   |   |
| FINISH: BLACK BELLS                                       |   |
| PART NAME: MOJ0752EX                                      |   |
| PART DESC: Tweed Bassman Power Transformer Export Version |   |
| MOJO PN: MOJ0752EX  |   |
| FILE: MT-FENDER-MOJ0752EX                                 |   |
| DRAWN BY: BRAD HASSELL                                    |   |
| DATE: 5-03-05   | <br><b>Mojo Musical Supply</b><br><small>7000 20th Ave SW, Seattle, WA 98148</small> |
| PRINT SCALE: 1 to 1                                       |   |
| DRAWN SCALE: 1 to 1                                       |   |
| Page 1 of 1   |   |